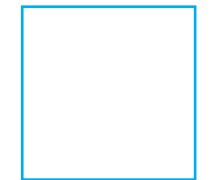
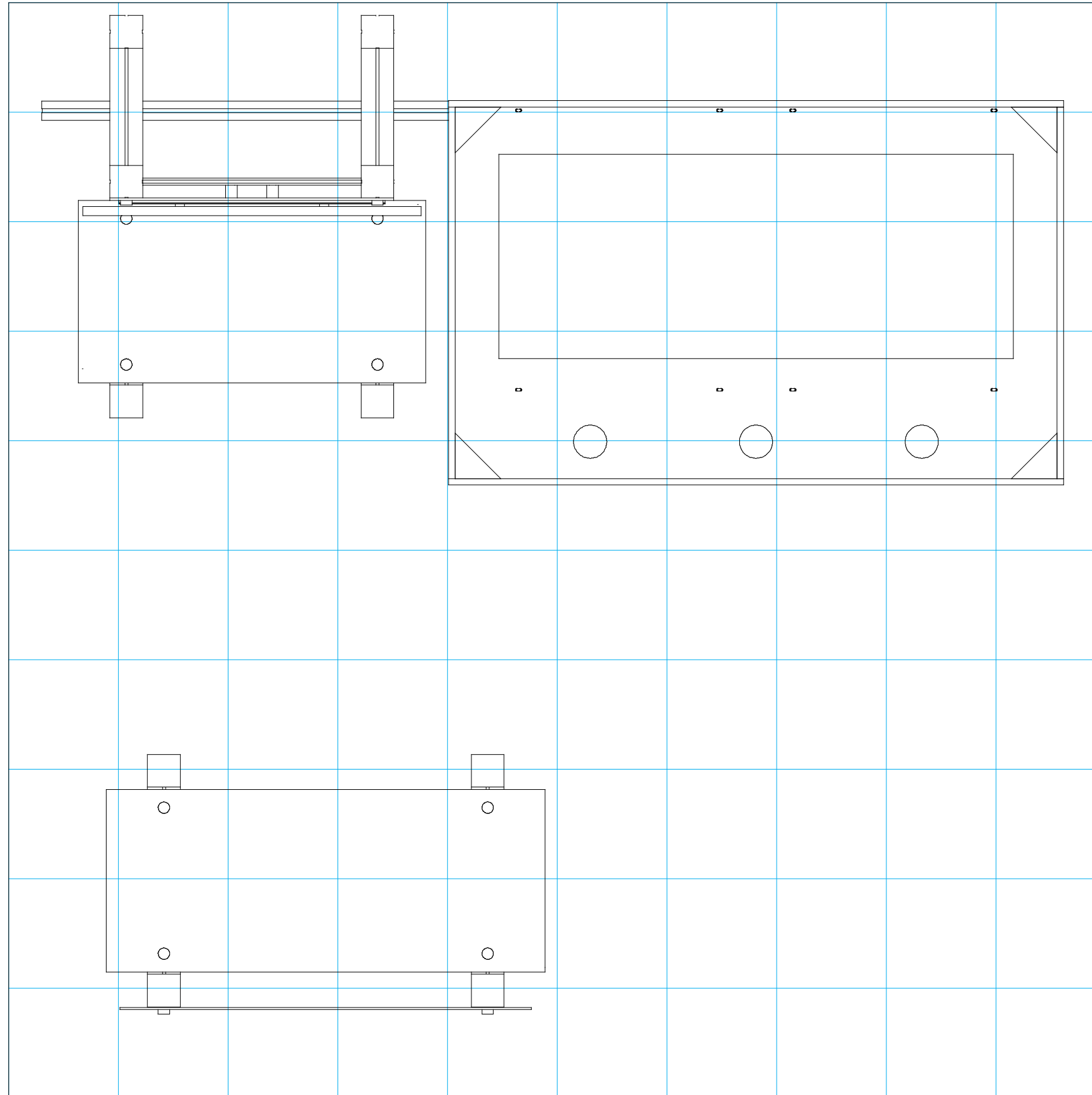


10'

10'

Plan View



= 1 sq foot

General Setup Instructions

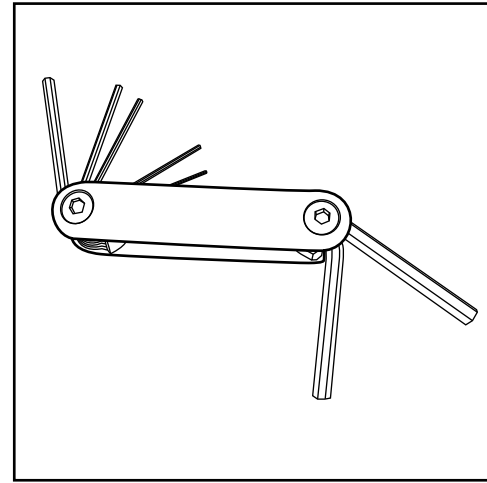
- Read entire setup instruction manual prior to unpacking parts and pieces.
- The setup instructions are created specifically for this configuration.
- Setup instructions are laid out sequentially in steps, including exploded views with detailed explanation for assembly.

Cleaning & Packing

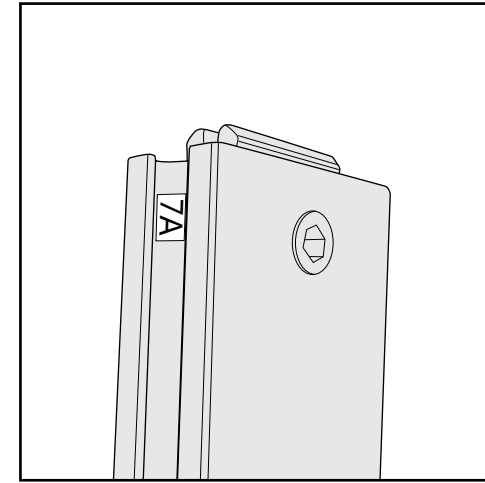
- For Cleaning Metal, Plex, & Laminate Parts: Use a **MILD NON-ABRASIVE** cleanser and soft cloth/paper towel to clean all surfaces.
- Keep exhibit components away from heat and prolonged sun exposure. **Heat and UV exposure will warp and fade components.**
- Retain all provided Packing Materials. All provided packing materials are for ease of repacking & component protection.

Disassembly

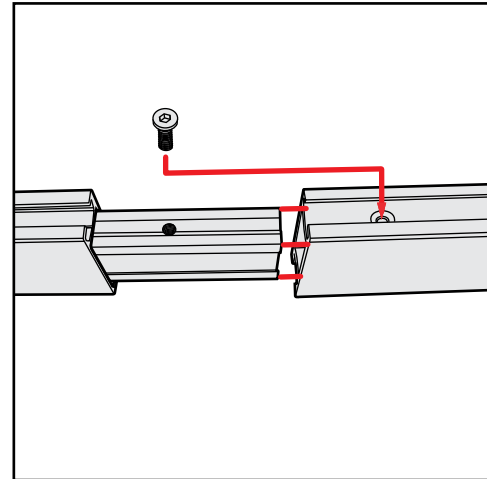
- For loss prevention, tighten all set screws and locks during disassembly



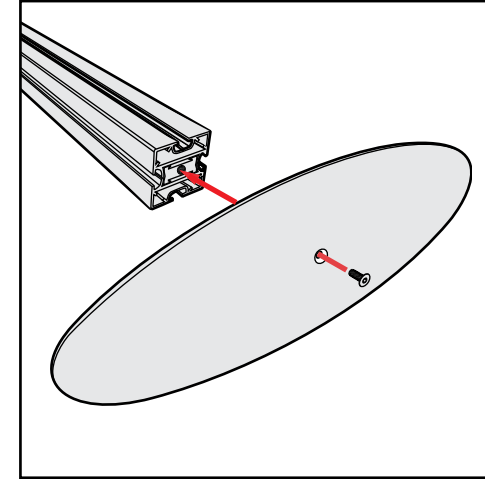
Hex Tool - Essential for Assembly



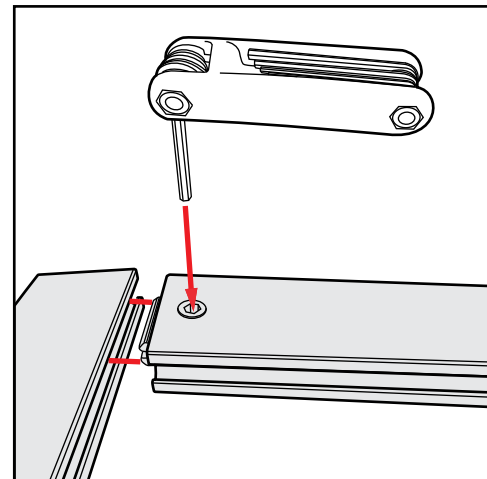
Part Identification - Numbering



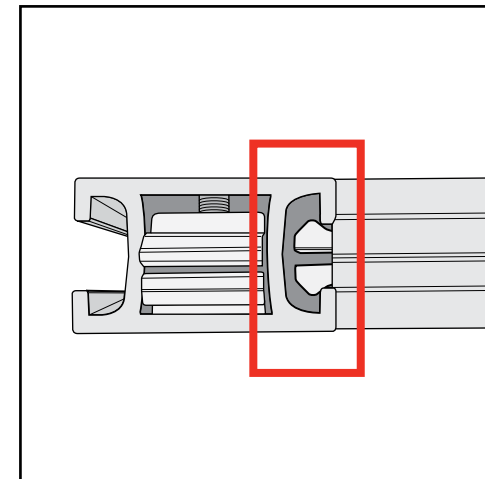
Spline Connection



Base Plate & Extrusion Connection



Extrusion & Lock Connection



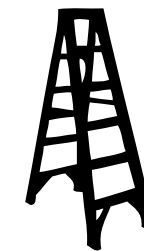
Engaged Lock



WARNING



DO NOT USE POWER TOOLS



LADDERS OR LIFTS
MAY BE REQUIRED



ALL CONNECTIONS MUST
BE TIGHTLY SECURED

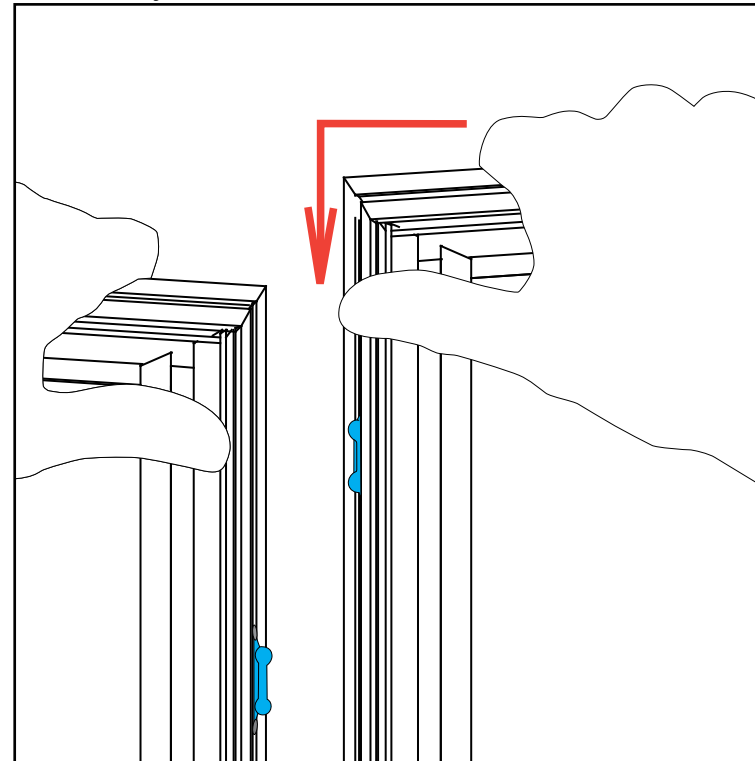
Side-by-Side Assembly

- 1) Frames: Place frames side-by-side with one higher than the other, then slide panel down to lock panels securely together.
- 2) Corner Connectors: Repeat Step 1 for installing corner connectors to frames.

Side-by-Side Disassembly

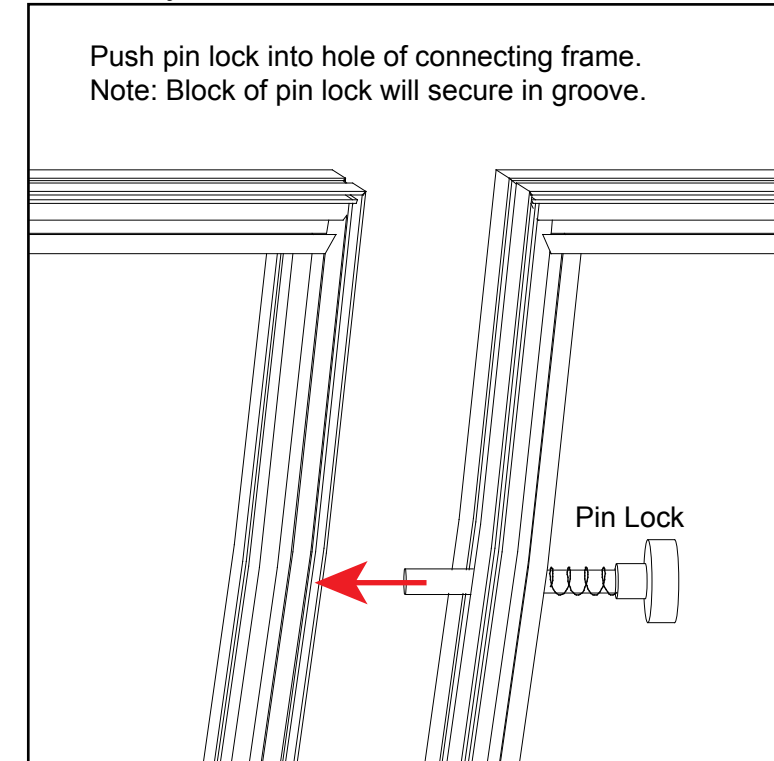
- 1) Pull pin lock outwards to disengage.
- 2) Pull frames upward and apart at the same time to detach.

Assembly

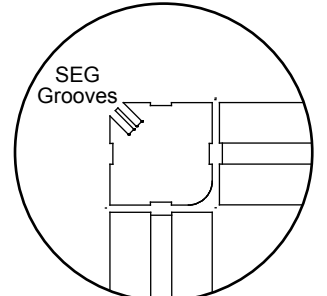


Assembly Cont'd

Push pin lock into hole of connecting frame.
Note: Block of pin lock will secure in groove.



Corner Connector



Top View

Note: Orientation of Corner Connector may change.

Stacking Assembly

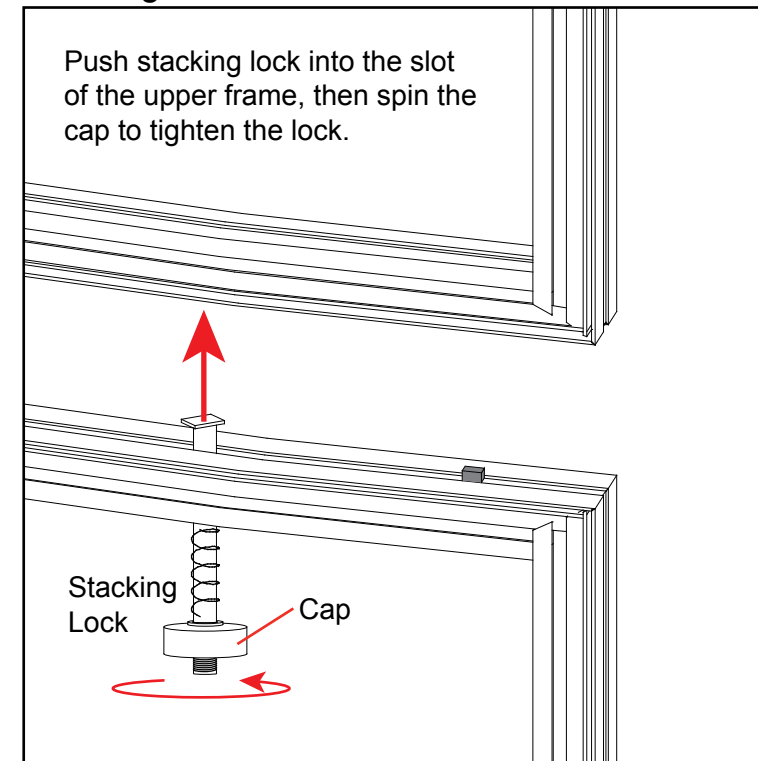
- 1) Place one horizontal frame on top of the other, lining up the center grooves.
- 2) Turn stacking lock clockwise to tighten into place. Repeat for each lock.

Stacking Disassembly

- 1) Turn the stacking lock counter-clockwise to loosen.
- 2) The whole spring on the stacking lock should be in view to release each frame. The disengaged spring should release the stacking lock. If not, keep turning the stacking lock until it disengages.

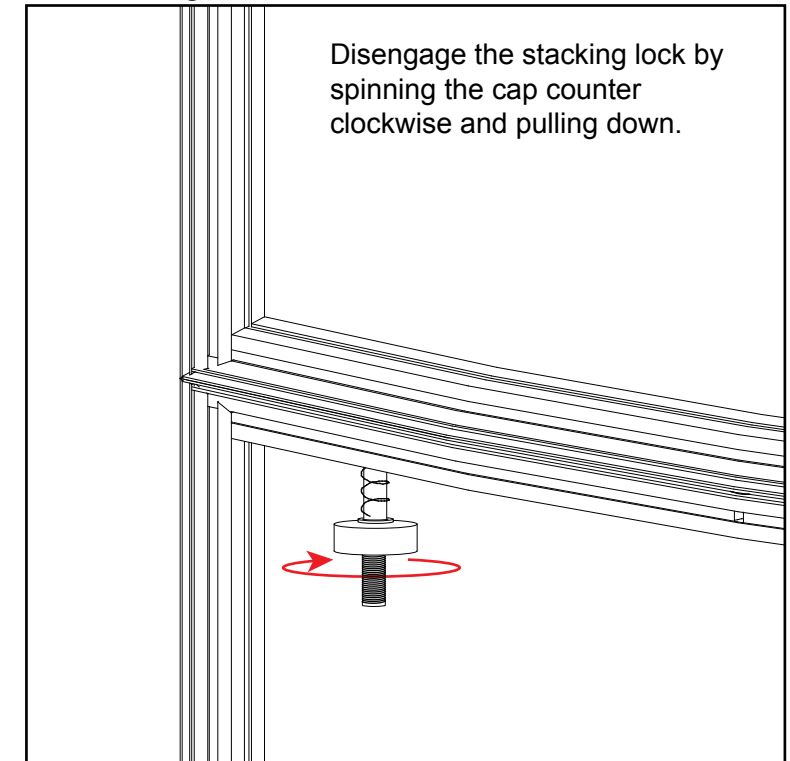
Stacking

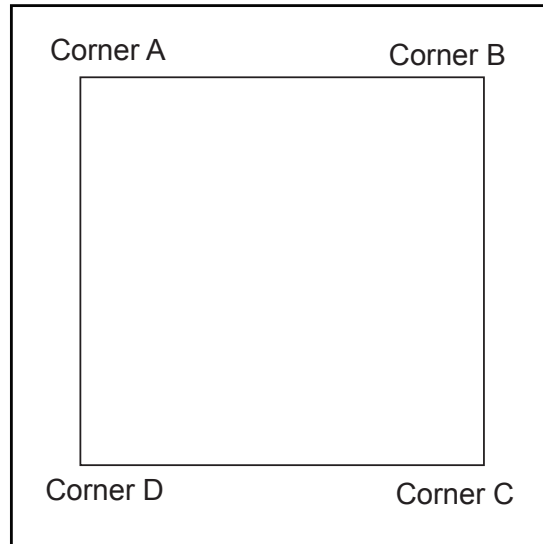
Push stacking lock into the slot of the upper frame, then spin the cap to tighten the lock.



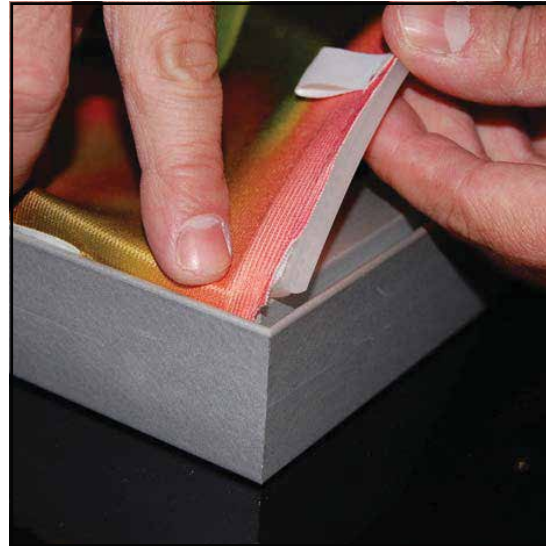
Unstacking

Disengage the stacking lock by spinning the cap counter clockwise and pulling down.

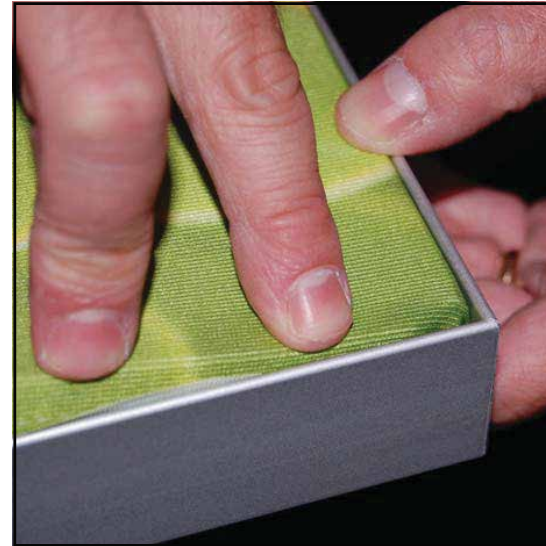




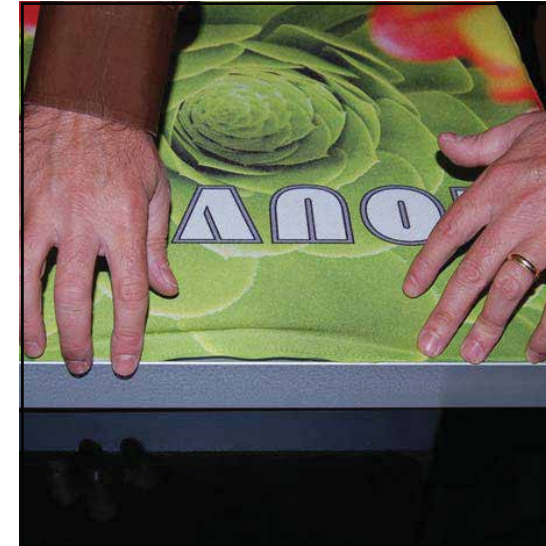
It is important to first insert graphic into each alternate corner then to the sides of the frame. If this is not done, graphic will not fit into the frame correctly.



Step 1
Insert corner A. Turn edge of graphic so silicon welt is perpendicular to face of graphic. Insert narrow side of welt with fabric to outside into the channel. Repeat for other side of this corner.

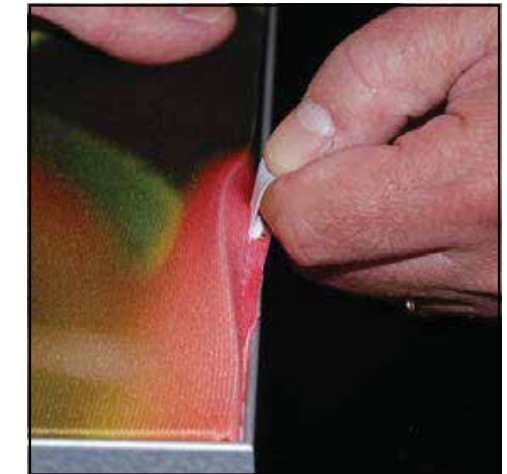


Step 2
Repeat Step 1 for opposite corner C, then insert corner D, to complete the installation of the corners.



Step 3
Once all corners are inserted, press one silicon edge into channel from corners and work toward the center. Make sure welt is fully inserted into channel. Continue until all sides are done. Smooth out edges of graphic.

Graphic Removal

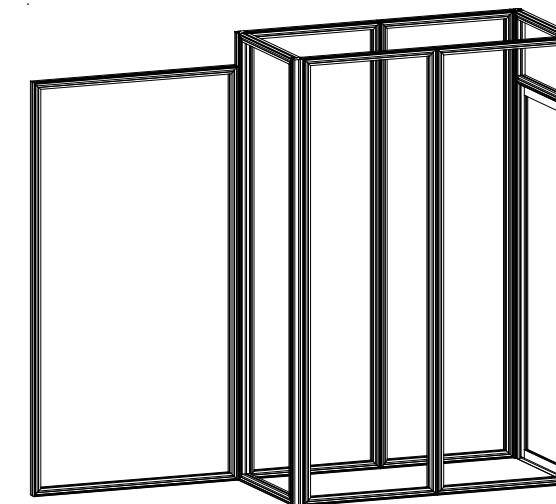
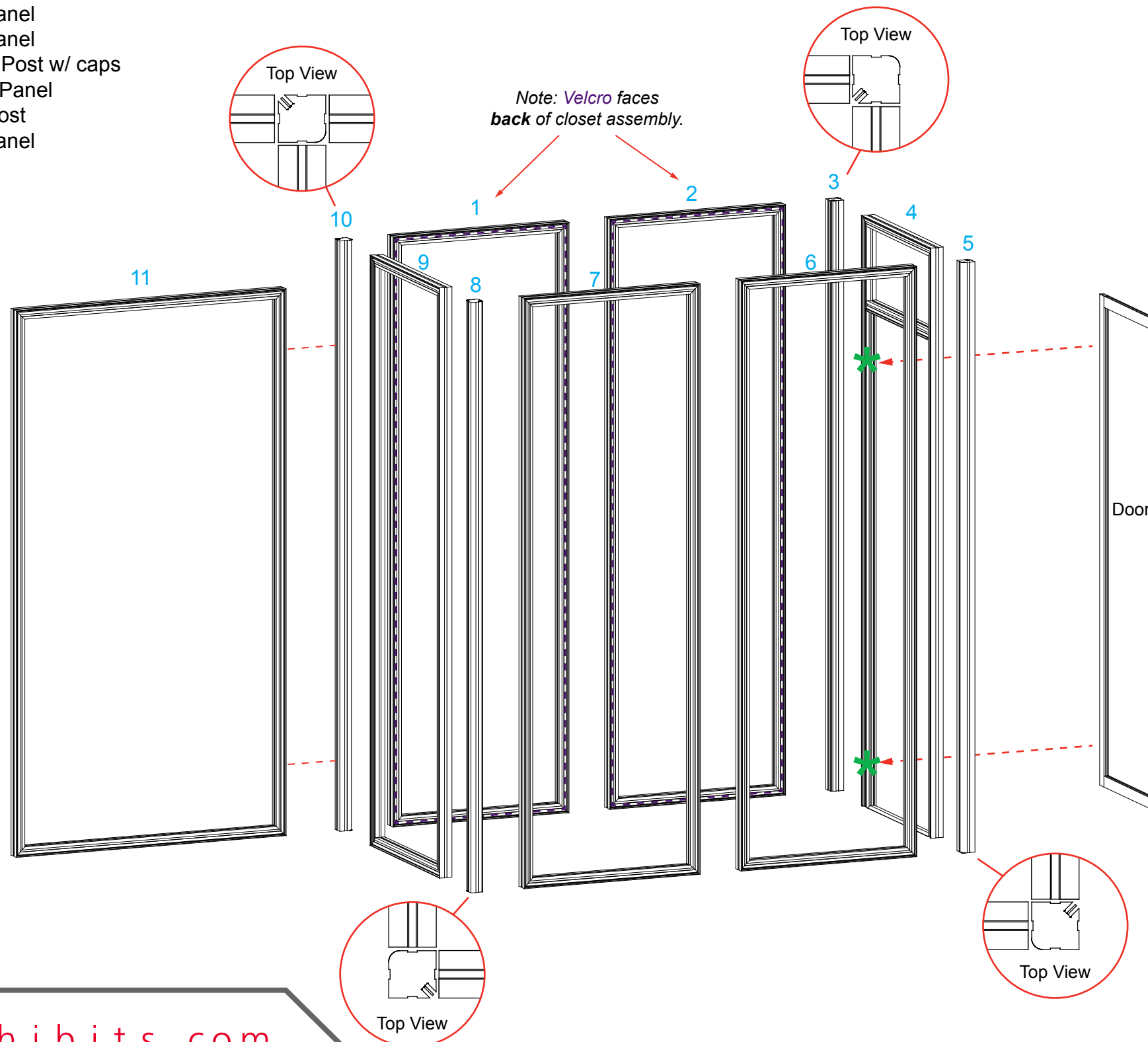


To remove the graphic from the frame, locate the fabric pull tab. Gently pull up on the tab to remove the fabric.

Item	Qty.	Description
1	1	30"w x 95"h Gravitee Panel w/ Velcro
2	1	30"w x 95"h Gravitee Panel w/ Velcro
3	1	95"h Gravitee Corner Post
4	1	28.5"w x 95"h Gravitee Panel w/ Door
5	1	94.5"h Gravitee Corner Post w/ caps
6	1	30"w x 95"h Gravitee Panel
7	1	30"w x 95"h Gravitee Panel
8	1	94.5"h Gravitee Corner Post w/ caps
9	1	28.5"w x 95"h Gravitee Panel
10	1	95"h Gravitee Corner Post
11	1	46"w x 88"h Gravitee Panel

Steps:

- 1) Assemble Gravitee panels & posts [1] through [11] together in numerical order as shown. Refer to the Gravitee Side-by-Side Assembly instructions in the general information pages.
- 2) Install Door to Panel [4]. See [Door Attachment](#) detail.



When assembled

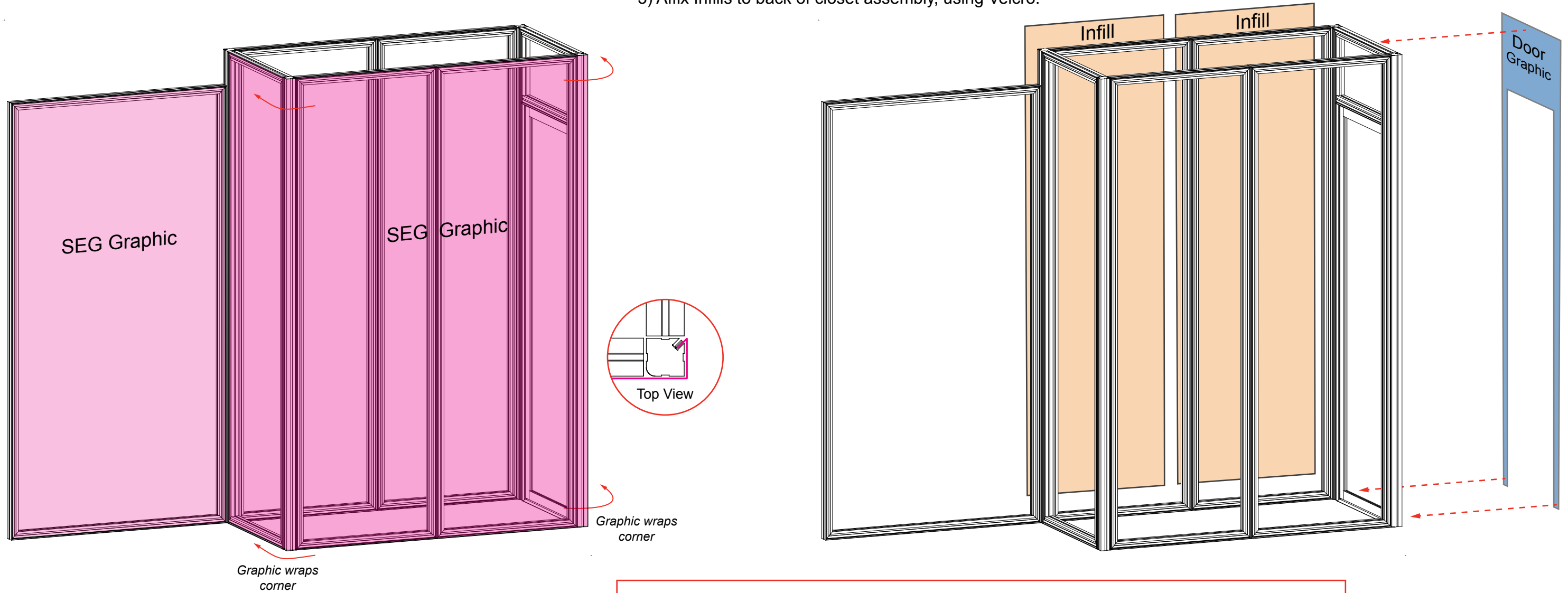
*** Door Attachment**

Slide pin into hinge attached to vertical. Slide door hinge over pin.

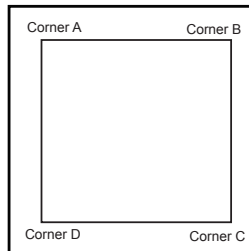
Labels: Door Hinge, Pin, Hinge

Steps:

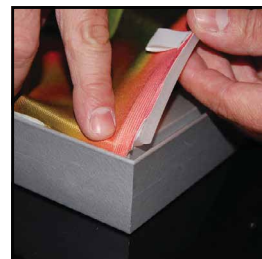
- 1) Apply SEG graphics to backwall assembly.
- 2) Attach Door graphic to Door Panel, using Velcro.
- 3) Affix Infills to back of closet assembly, using Velcro.



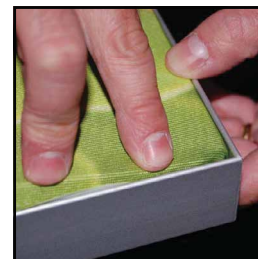
SEG Graphic Installation



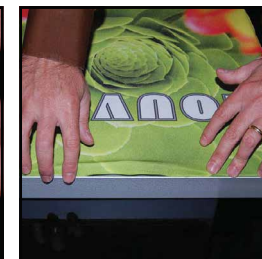
It is important to first insert graphic into each alternate corner then to the sides of the frame. If this is not done, graphic will not fit into the frame correctly.



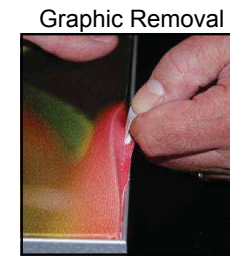
Step 1
Insert corner A. Turn edge of graphic so silicon welt is perpendicular to face of graphic. Insert narrow side of welt with fabric to outside into the channel. Repeat for other side of this corner.



Step 2
Repeat Step 1 for opposite corner C, then insert corner B, followed by corner D, to complete the installation of the corners.



Step 3
Once all corners are inserted, press one silicon edge into channel from corners and work toward the center. Make sure welt is fully inserted into channel. Continue until all sides are done. Smooth out edges of graphic.

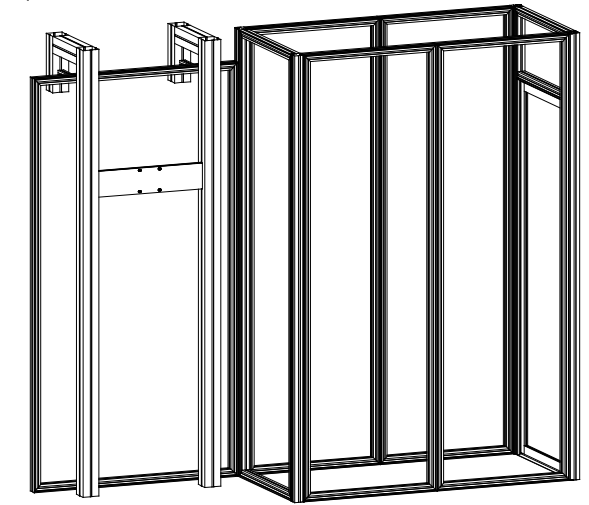


Graphic Removal
To remove the graphic from the frame, locate the fabric pull tab. Gently pull up on the tab to remove the fabric.

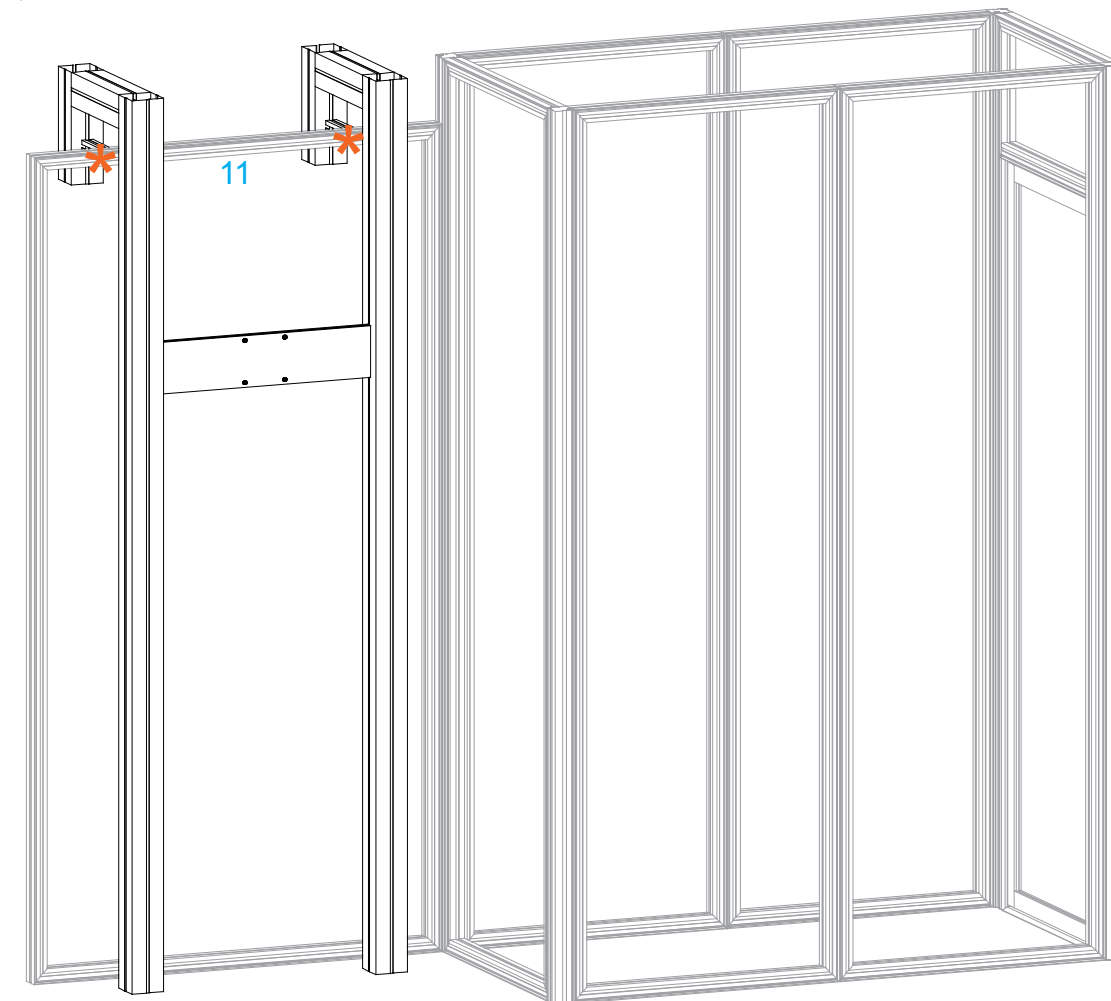
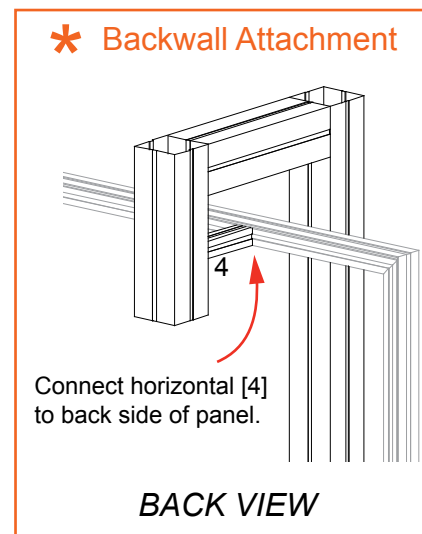
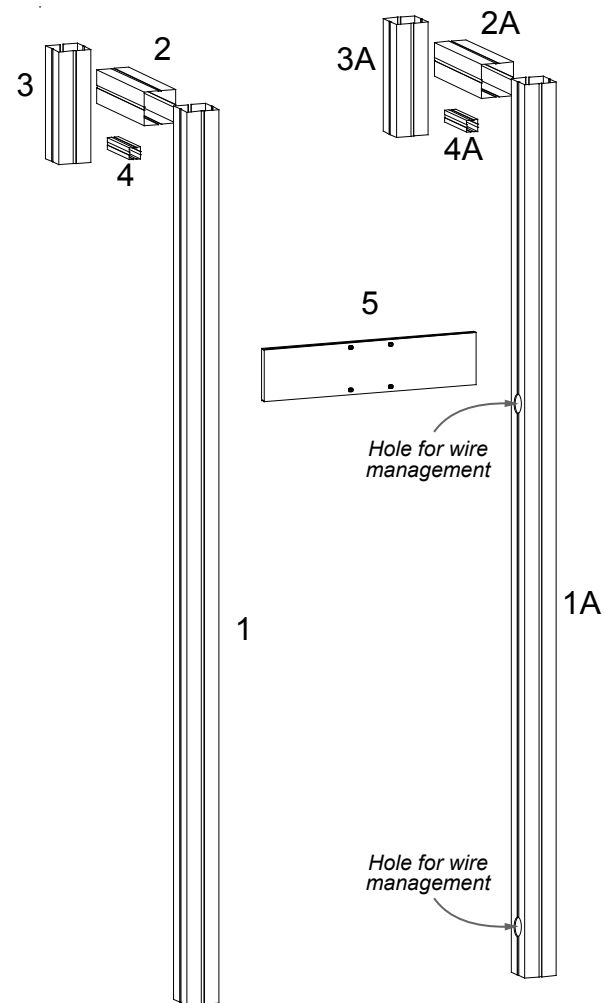
Item	Qty.	Description
1,1A	1,1	95"h Q914 Vertical Extrusion
2,2A	1,1	12.835"w Q914 Horizontal Extrusion
3,3A	1,1	12"h Q914 Vertical Extrusion
4,4A	1,1	6"w S40 Horizontal Extrusion
5	1	23.895"w Z140 Horizontal Extrusion

Steps:

- 1) Assemble horizontal [2] between verticals [1,3]. Repeat step, assembling horizontal [2A] between verticals [1A,3A].
- 2) Attach horizontal [4] to vertical [3]. Repeat step, attaching horizontal [4A] to vertical [3A].
- 3) Connect horizontal [5] between verticals [1,1A].
- 4) Attach assembly to Gravitee Panel [11] by attaching horizontals [4,4A] to back side of panel. See **Backwall Attachment** detail.



When assembled

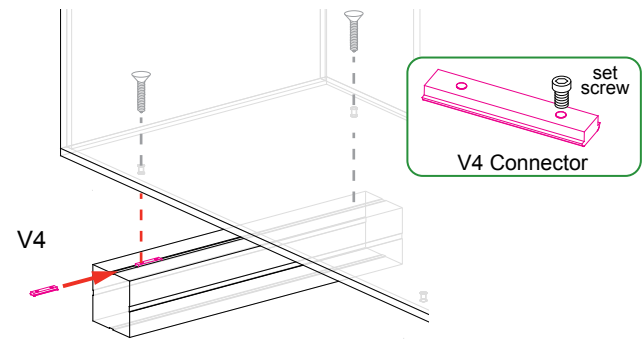


Item	Qty.	Description
6,6A	1,1	20.5"w Q914 Horizontal Extrusion
7,7A	1,1	20.5"w Q914 Horizontal Extrusion
8,8A	1,1	37.5"h Q914 Vertical Extrusion
--	1	38"w x 30.188"h x 20"d Cabinet
--	4	1" Standoff Barrels w/ caps

*** Q914 to Cabinet Attachment**

Slide V4 connector into groove of horizontal extrusion; tighten set screw to secure.

Attach bolt from inside Cabinet to V4 connector. Tighten bolt to secure connection.

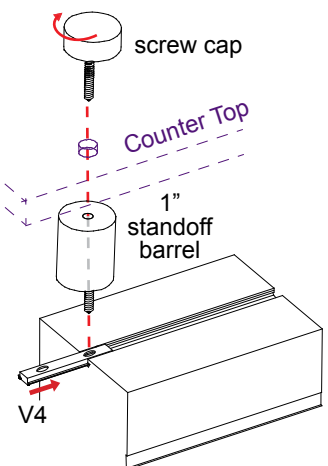


*** Counter Top Attachment**

Slide V4 connector into groove of horizontal extrusion; tighten set screw to secure.

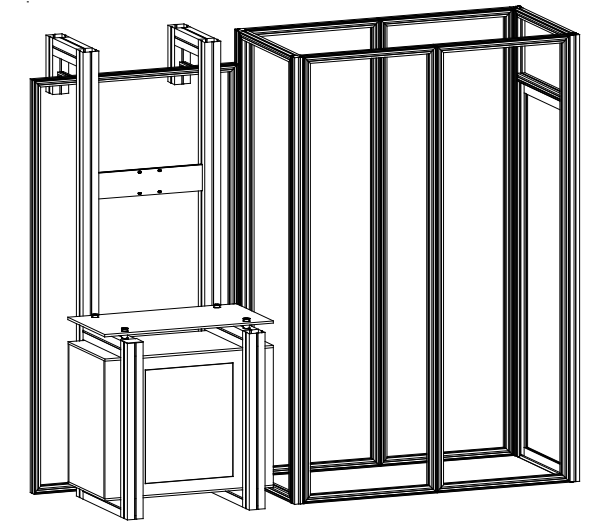
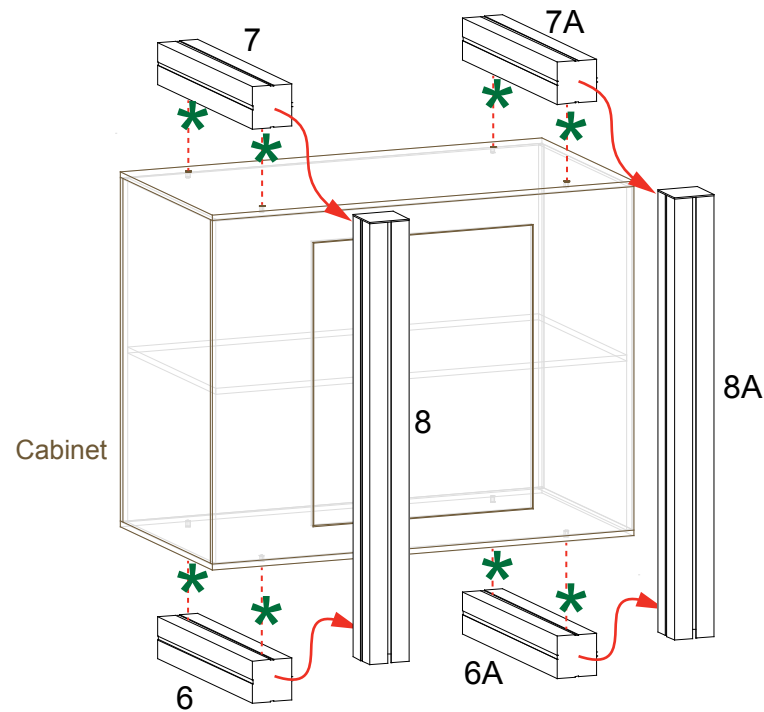
Attach standoff barrel to extrusion.

Secure counter top to standoff using screw caps.

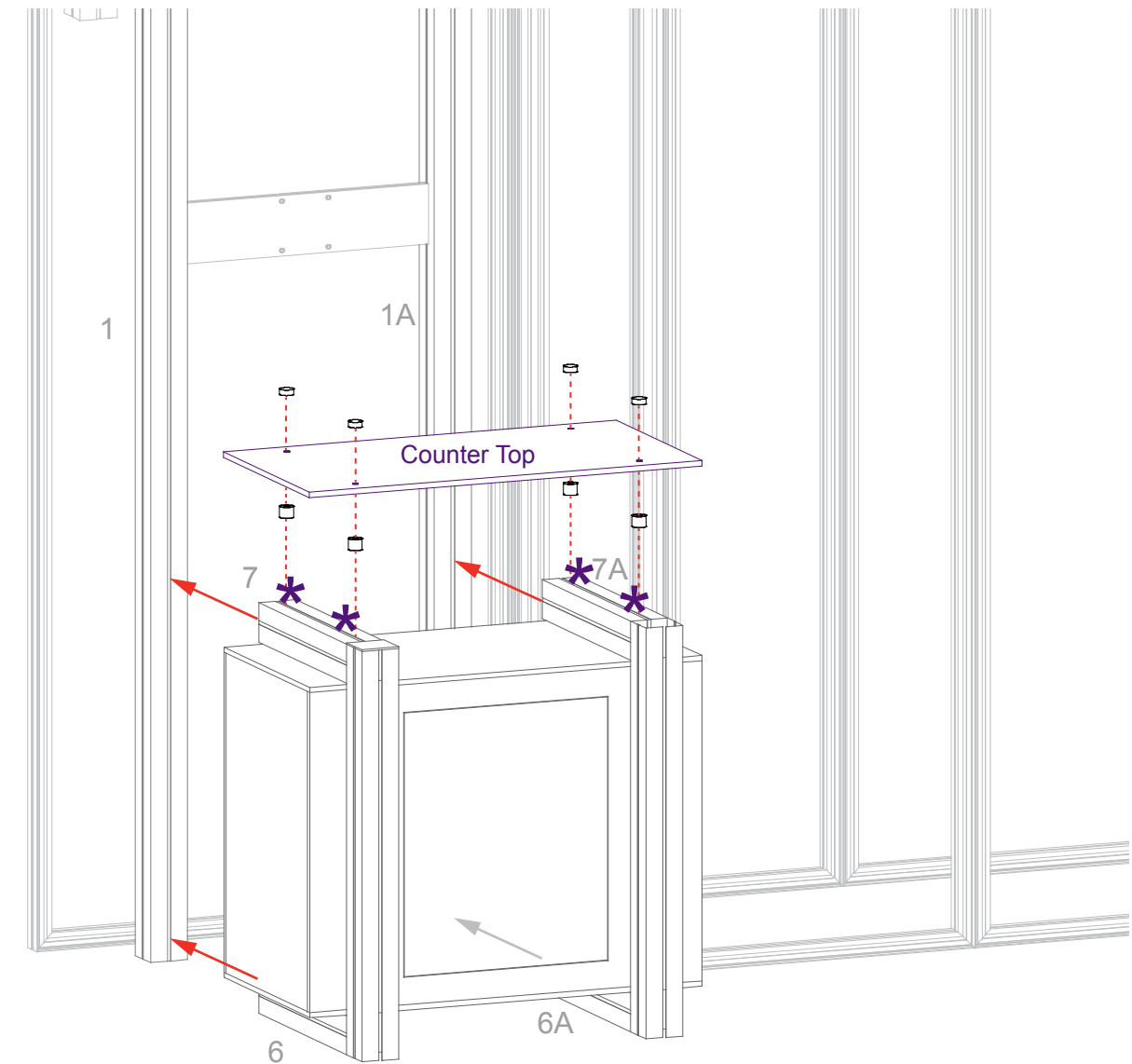


Steps:

- 1) Attach lower horizontals [6,6A] to underside of Cabinet. See [Q914 to Cabinet Attachment](#) detail.
- 2) Connect upper horizontals [7,7A] to top of Cabinet. See [Q914 to Cabinet Attachment](#) detail.
- 3) Connect vertical [8] to front of horizontals [6,7]. Repeat step, attaching vertical [8A] to front of horizontals [6A,7A].
- 4) Attach horizontals [6,7] to backwall vertical [1]; connect horizontals [6A,7A] to backwall vertical [1A], as shown.
- 5) Attach Counter Top to horizontals [7,7A] using screw caps. See [Counter Top Attachment](#) detail.



When assembled



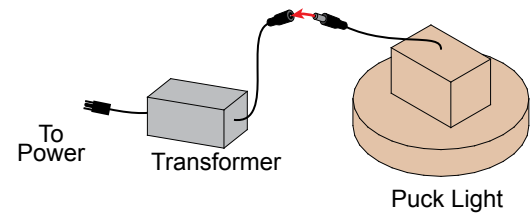
Item	Qty.	Description
--	1	67.268" w x 42.12" d Canopy
--	4	1.25" Standoff Barrel

Steps:

- 1) Attach Canopy to top of closet assembly. See [Canopy Attachment](#) detail.
- 2) Connect power cords to Puck Lights in canopy. See [Puck Light Connection](#) detail.
- 3) Attach Header Graphic to backwall verticals [1, 1A]. See [Header Attachment](#) detail.
- 3) Install Monitor Mount to horizontal [5] using standoff barrels. See [Monitor Mount Attachment](#) detail.

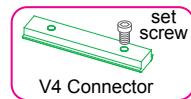
* Puck Light Connection

Connect transformer to puck lights, then attach transformer to power source.

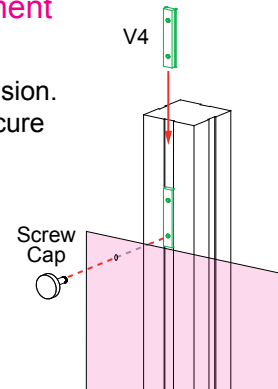


* Header Attachment

Slide V4 connector into vertical channel of extrusion. Tighten set screw to secure connector in place.



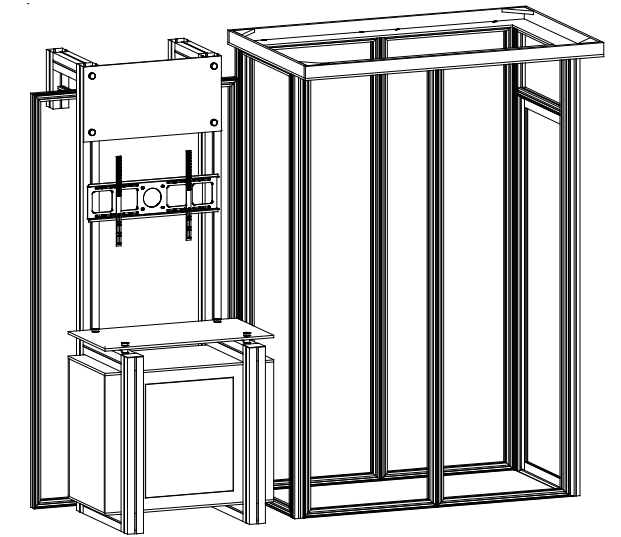
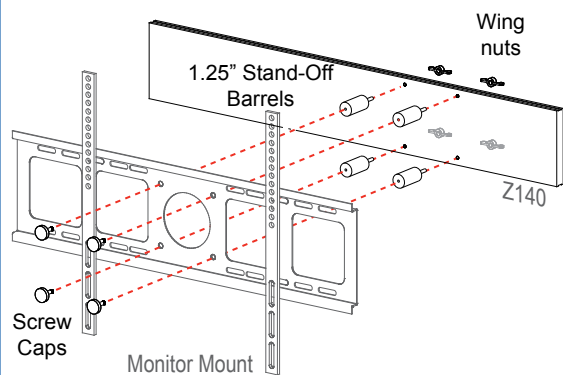
Attach Header Graphic to V4 connector using screw cap.



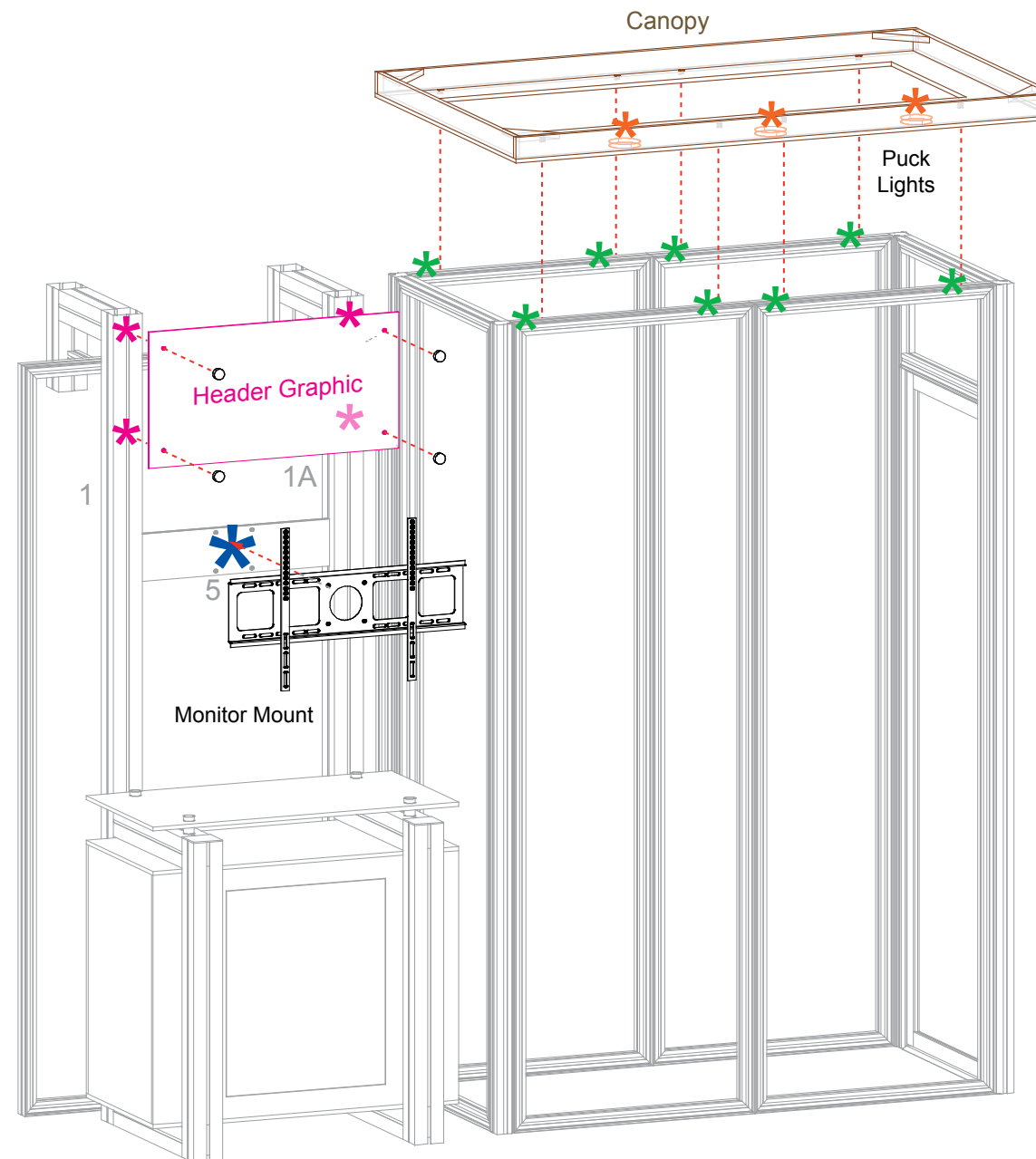
* Monitor Mount Attachment

Attach Stand-off Barrels to horizontal extrusion using wing nuts.

Install Monitor Mount to Stand-off Barrels using screw caps.



When assembled

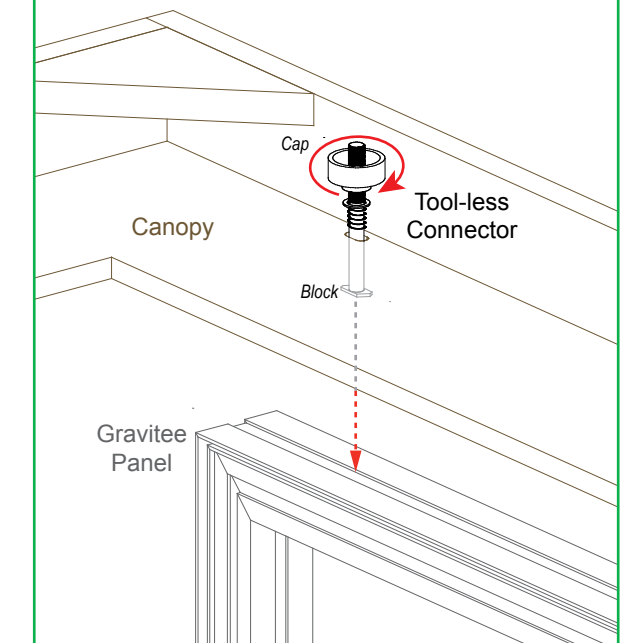


* Canopy Attachment

Push tool-less connector into channel along top of Gravitee panel.

Turn cap clockwise to tighten lock into place.

Note: Block on lock cap will secure in groove.

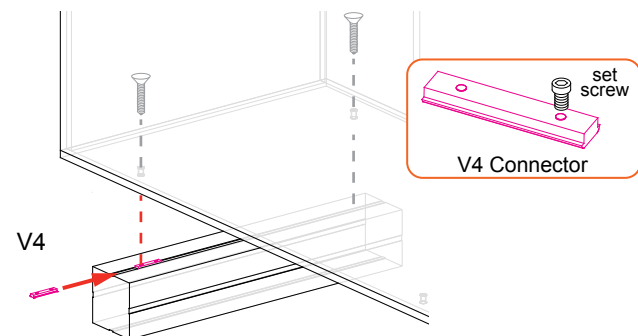


Item	Qty.	Description
1,1A	1,1	20.5"w Q914 Horizontal Extrusion
2,2A	1,1	20.5"w Q914 Horizontal Extrusion
3,3A	1,1	37.5"h Q914 Vertical Extrusion
4,4A	1,1	37.5"h Q914 Vertical Extrusion
--	1	48"w x 30.188"h x 20"d Cabinet
--	4	1" Standoff Barrels w/ caps

*** Q914 to Cabinet Attachment**

Slide V4 connector into groove of horizontal extrusion; tighten set screw to secure.

Attach bolt from inside Cabinet to V4 connector. Tighten bolt to secure connection.

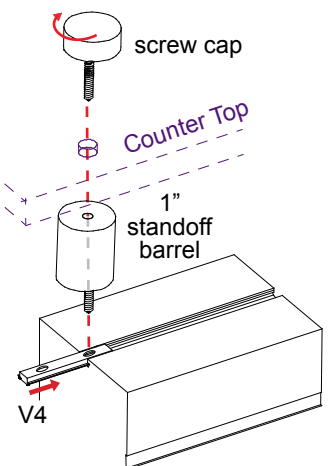


*** Counter Top Attachment**

Slide V4 connector into groove of horizontal extrusion; tighten set screw to secure.

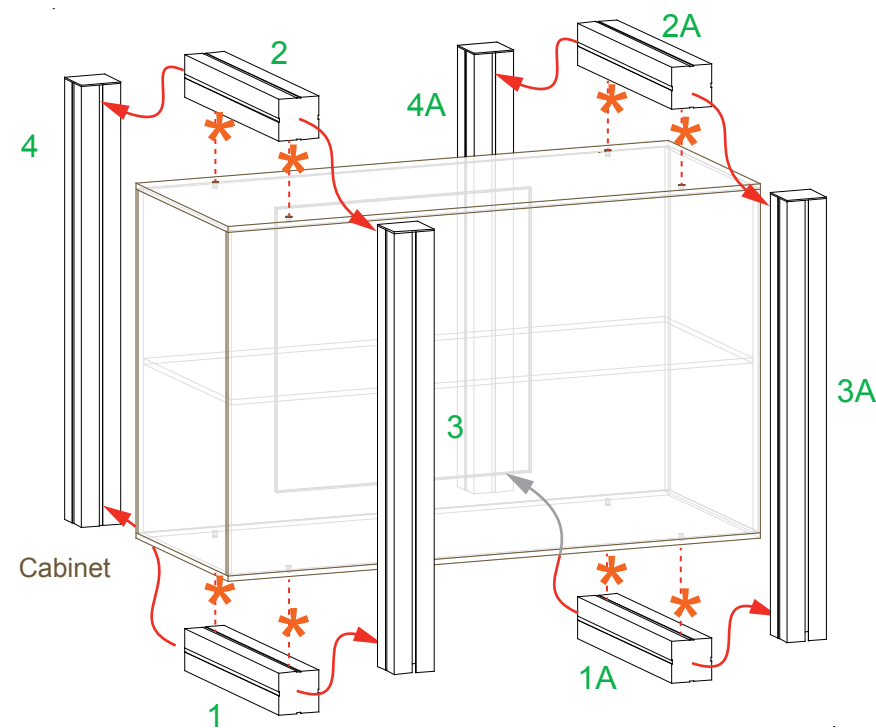
Attach standoff barrel to extrusion.

Secure counter top to standoff using screw caps.

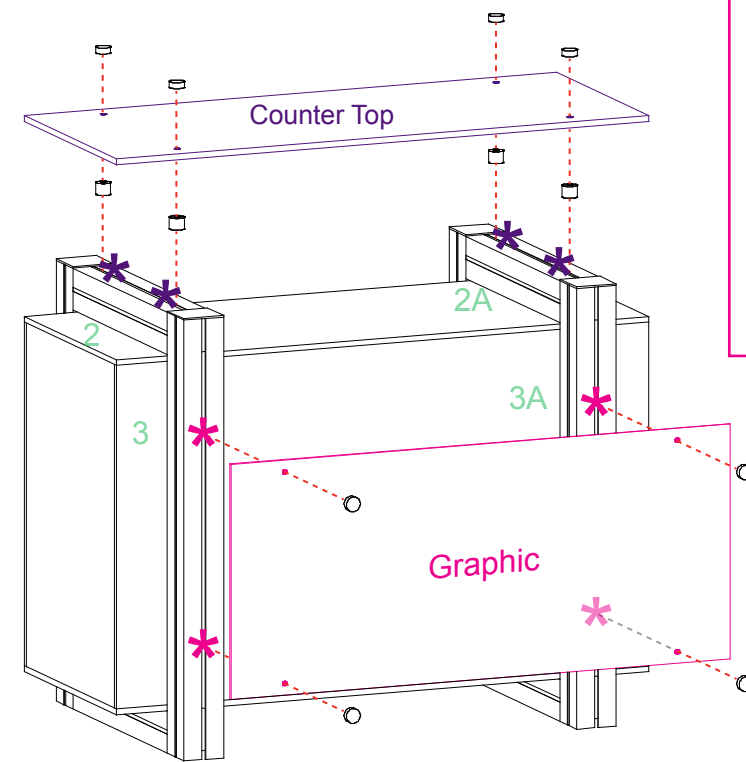


Steps:

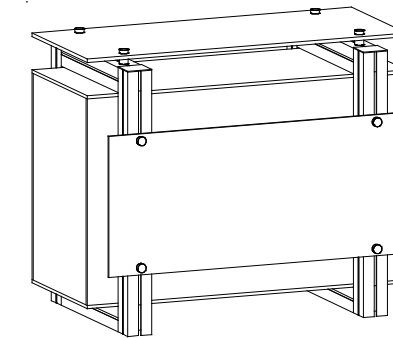
- 1) Attach lower horizontals [1,1A] to underside of Cabinet. See [Q914 to Cabinet Attachment](#) detail.
- 2) Connect upper horizontals [2,2A] to top of Cabinet. See [Q914 to Cabinet Attachment](#) detail.
- 3) Connect vertical [3] to front of horizontals [1,2]. Repeat step, attaching vertical [3A] to front of horizontals [1A,2A].
- 4) Attach vertical [4] to back of horizontals [1,2]. Repeat step, attaching vertical [4A] to back of horizontals [1A,2A].
- 5) Install Counter Top to horizontals [2,2A] using screw caps. See [Counter Top Attachment](#) detail.
- 6) Connect Graphic to front of verticals [3,3A]. See [Graphic Attachment](#) detail.



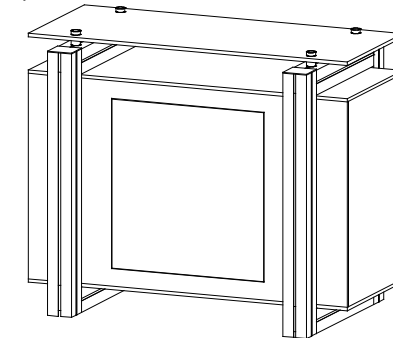
FRONT VIEW



FRONT VIEW



FRONT VIEW

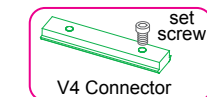


BACK VIEW

When assembled

*** Graphic Attachment**

Slide V4 connector into vertical channel of extrusion. Tighten set screw to secure connector in place.



Attach Graphic to V4 connector using screw cap.

